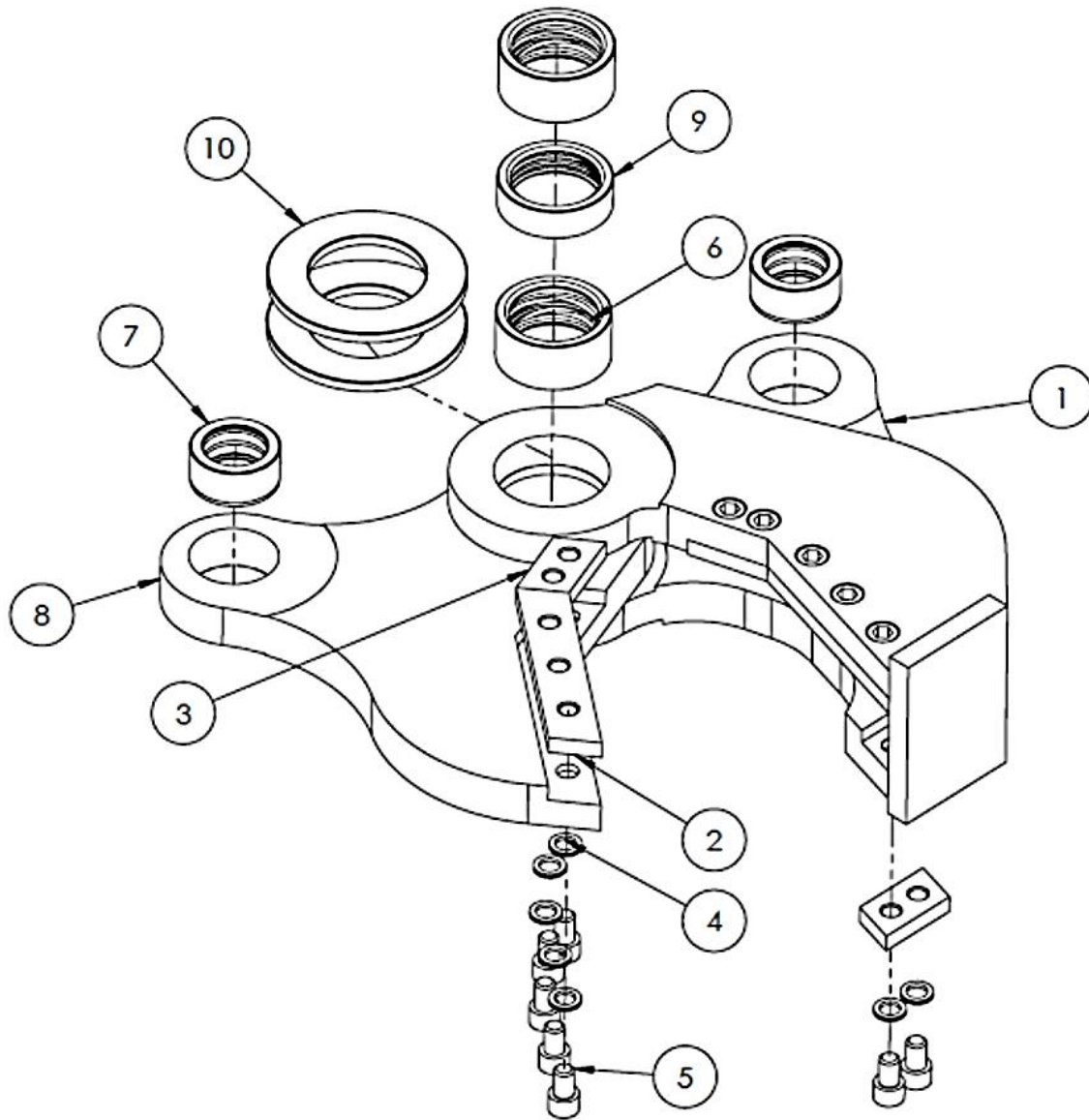
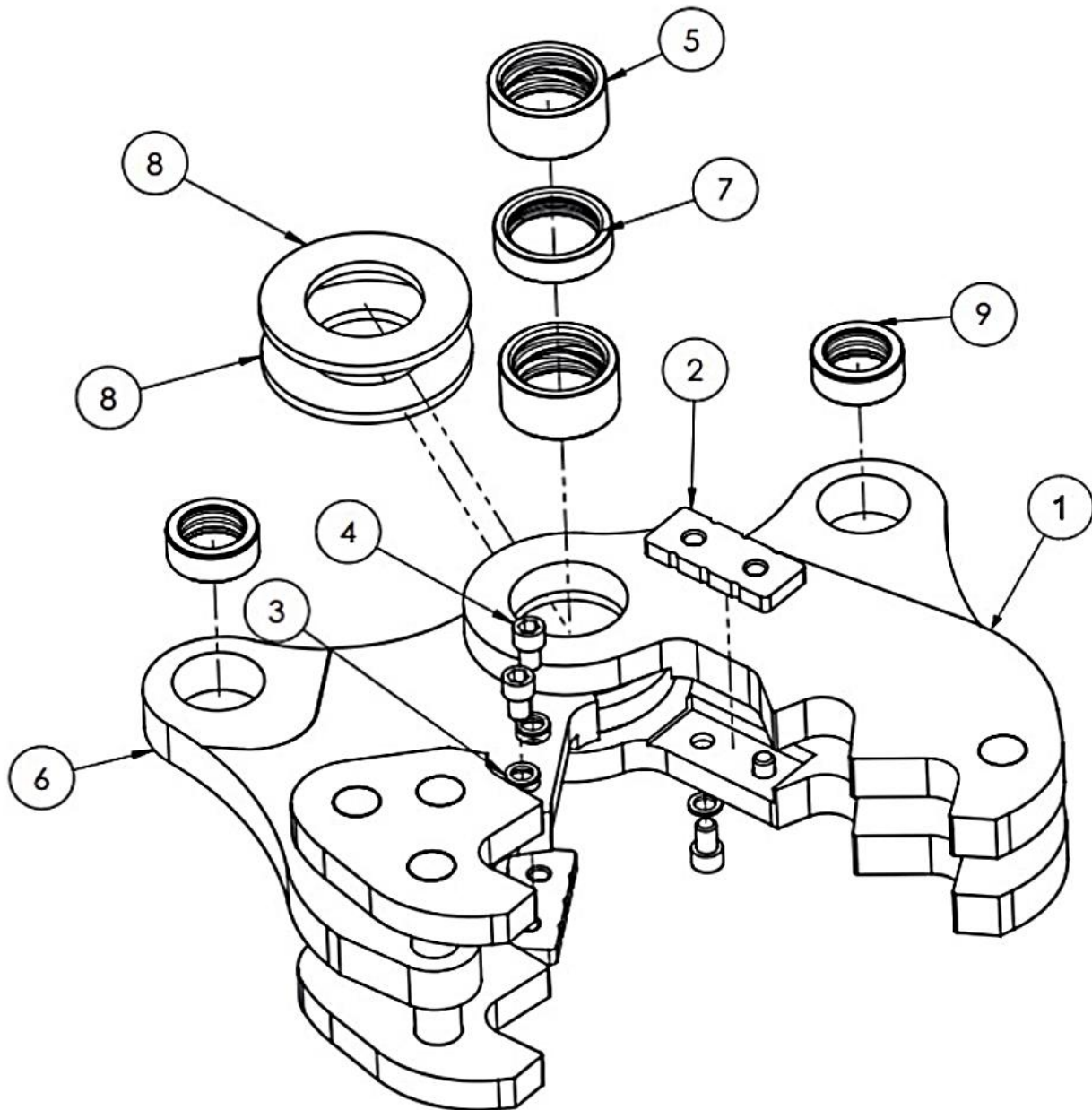


# MC5 SHEAR KIT EXPLODED VIEW



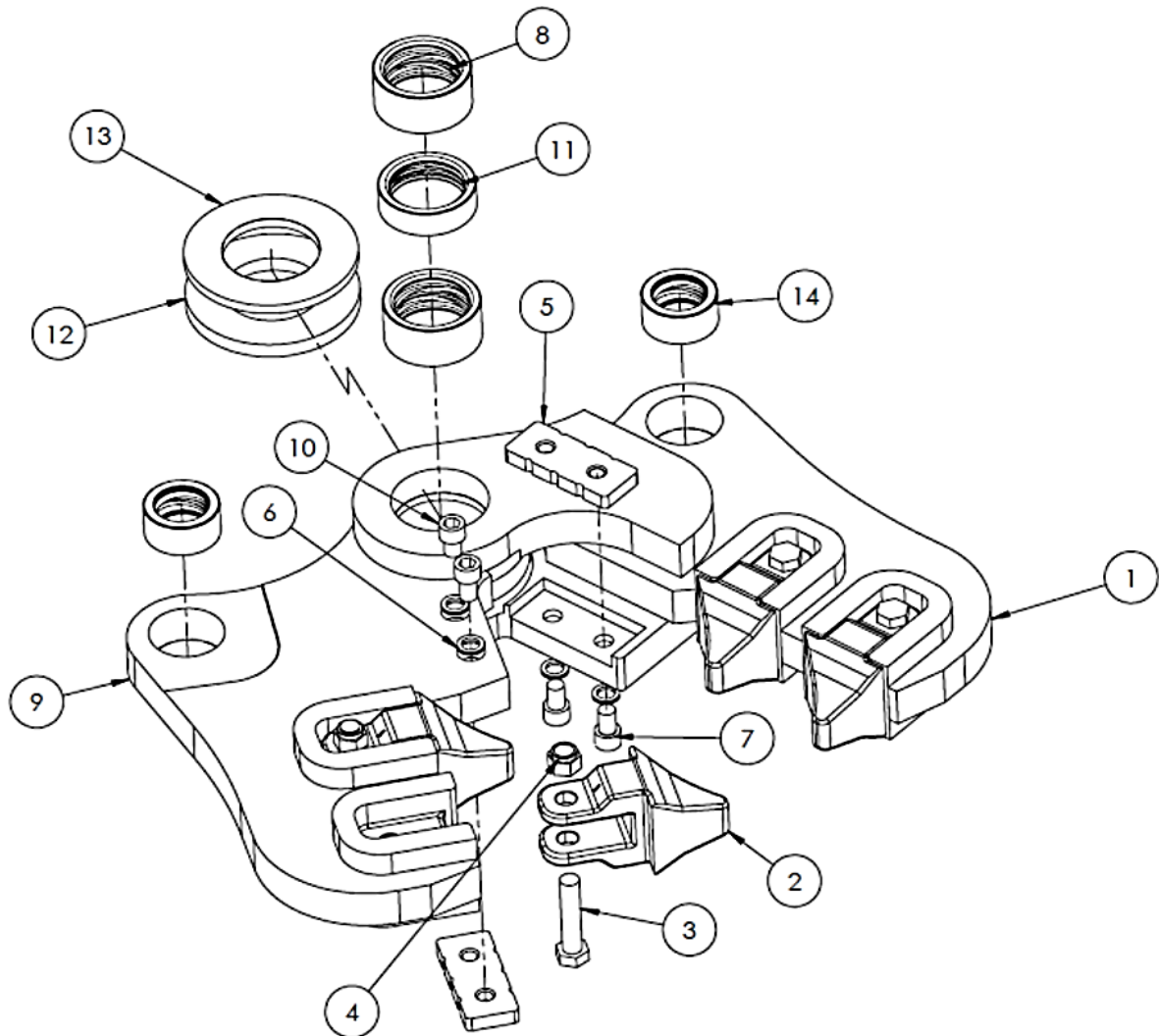
| POS. | Q,TY | PART No.  | DESCRIPTION   |
|------|------|-----------|---------------|
| -    | 1    | 200001500 | SHEAR KIT     |
| 1    | 1    | 13000900  | JAW           |
| 2    | 2    | 27000500  | BLADE         |
| 3    | 3    | 02018800  | BLADE         |
| 4    | 12   | 25000500  | NORD-LOCK M16 |
| 5    | 12   | 04009000  | TCEI M16X25   |
| 6    | 2    | 07000600  | BUSH          |
| 7    | 2    | 02018900  | BUSH          |
| 8    | 1    | 04019500  | NIPPER        |
| 9    | 1    | 03002500  | BUSH          |
| 10   | 2    | 29002301  | SPACER        |

# MC5 PULVERIZER KIT EXPLODED VIEW



| POS. | Q,TY | PART No.  | DESCRIPTION    |
|------|------|-----------|----------------|
| -    | 1    | 200001800 | PULVERIZER KIT |
| 1    | 1    | 41005900  | JAW            |
| 2    | 2    | 21002000  | BLADE          |
| 3    | 4    | 5001200   | NORD-LOCK M16  |
| 4    | 4    | 4005700   | TCEI M16X25    |
| 5    | 2    | 17003300  | BUSH           |
| 6    | 1    | 23008900  | NIPPER         |
| 7    | 1    | 17004800  | BUSH           |
| 8    | 2    | 35000600  | SPACER         |
| 9    | 2    | 17011200  | BUSHING        |

# MC5 CRUSHER KIT EXPLODED VIEW



| POS. | Q,TY | PART No.  | DESCRIPTION   |
|------|------|-----------|---------------|
| -    | 1    | 200002100 | CRUSHER KIT   |
| 1    | 1    | 23000300  | JAW           |
| 2    | 4    | 40000400  | TOOTH         |
| 3    | 4    | 04005400  | TE M18X85     |
| 4    | 4    | 07000100  | LOCKNUT M18   |
| 5    | 2    | 21002000  | BLADE         |
| 6    | 4    | 05001200  | NORD-LOCK M16 |
| 7    | 3    | 04005700  | TCEI M16X25   |
| 8    | 2    | 17003300  | BUSH          |
| 9    | 1    | 23000300  | NIPPER        |
| 10   | 1    | 04010400  | TCEI M16X20   |
| 11   | 1    | 17004800  | BUSH          |
| 12   | 1    | 35000600  | SPACER        |
| 13   | 1    | 35000600  | SPACER        |
| 14   | 2    | 17007000  | BUSH          |